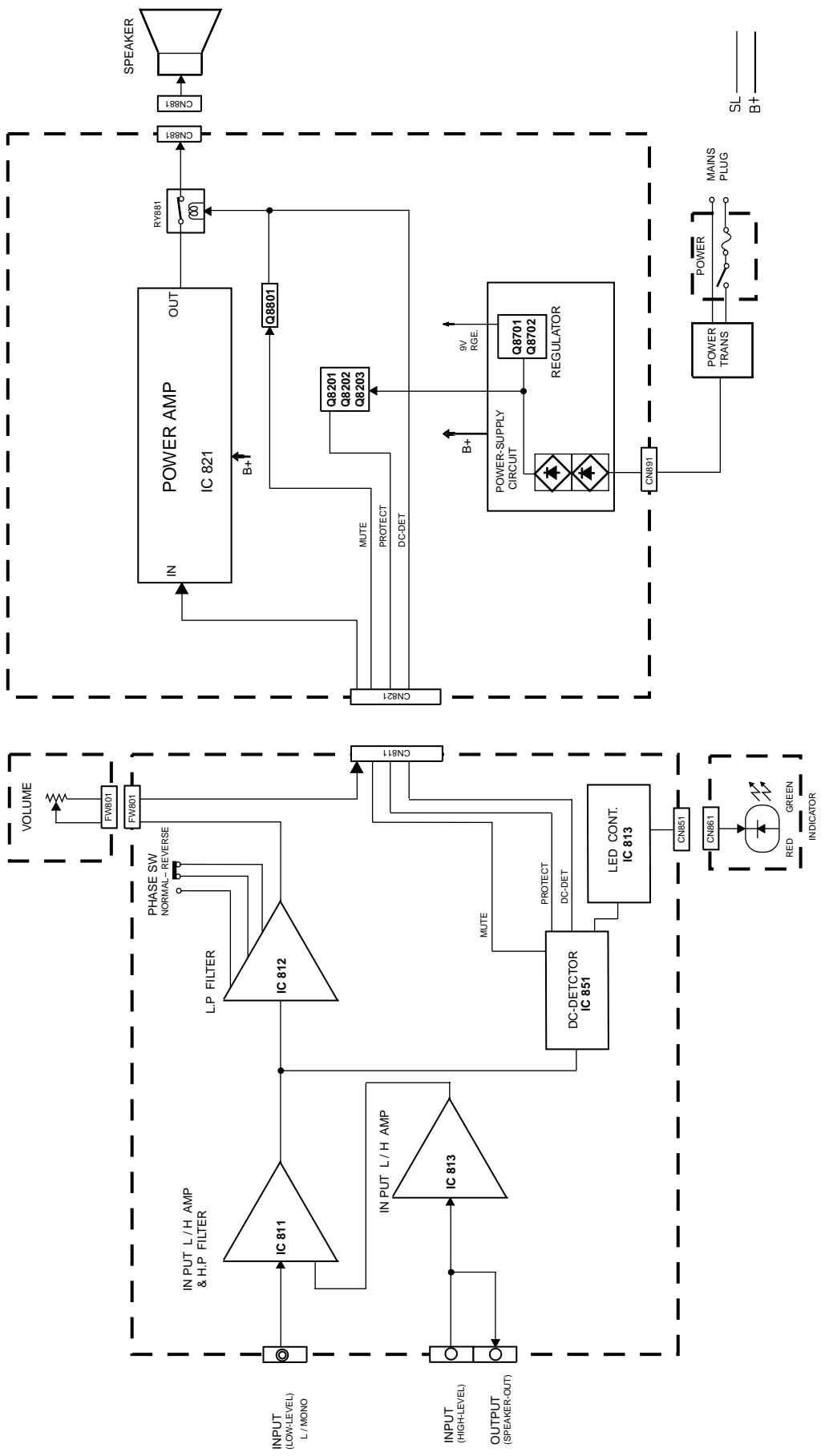


Block diagram

5
4
3
2
1

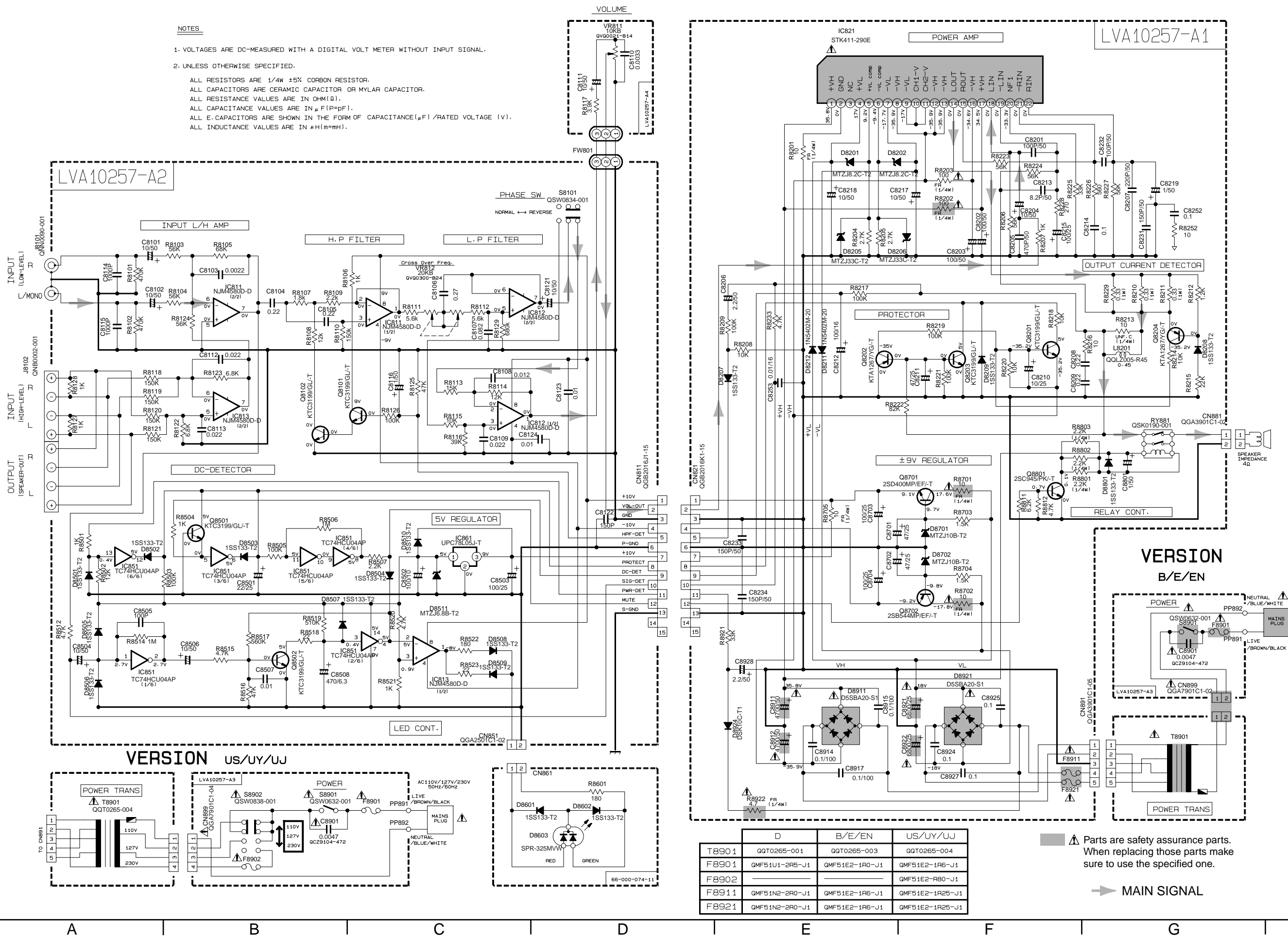


< MEMO >

Standard schematic diagram

NOTES

- VOLTAGES ARE DC-MEASURED WITH A DIGITAL VOLT METER WITHOUT INPUT SIGNAL.
- UNLESS OTHERWISE SPECIFIED.
 ALL RESISTORS ARE 1/4W ±5% CARBON RESISTOR.
 ALL CAPACITORS ARE CERAMIC CAPACITOR OR MYLAR CAPACITOR.
 ALL RESISTANCE VALUES ARE IN OHM(Ω).
 ALL CAPACITANCE VALUES ARE IN μF(P=pF).
 ALL E. CAPACITORS ARE SHOWN IN THE FORM OF CAPACITANCE(μF)/RATED VOLTAGE (V).
 ALL INDUCTANCE VALUES ARE IN μH(m=MH).



	D	B/E/EN	US/UJ/UJ
T8901	GGT0265-001	GGT0265-003	GGT0265-004
F8901	QMF51U1-2R5-J1	QMF51E2-1R0-J1	QMF51E2-1R6-J1
F8902			QMF51E2-R80-J1
F8911	QMF51N2-2R0-J1	QMF51E2-1R6-J1	QMF51E2-1R25-J1
F8921	QMF51N2-2R0-J1	QMF51E2-1R6-J1	QMF51E2-1R25-J1

▲ Parts are safety assurance parts. When replacing those parts make sure to use the specified one.

➔ MAIN SIGNAL

5

4

3

2

1

A

B

C

D

E

F

G

Printed circuit boards

5

4

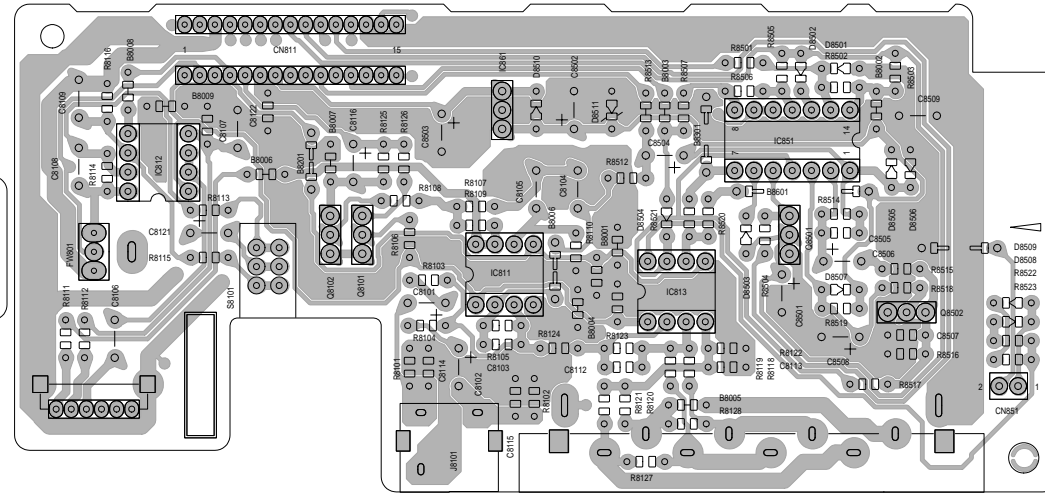
3

2

1

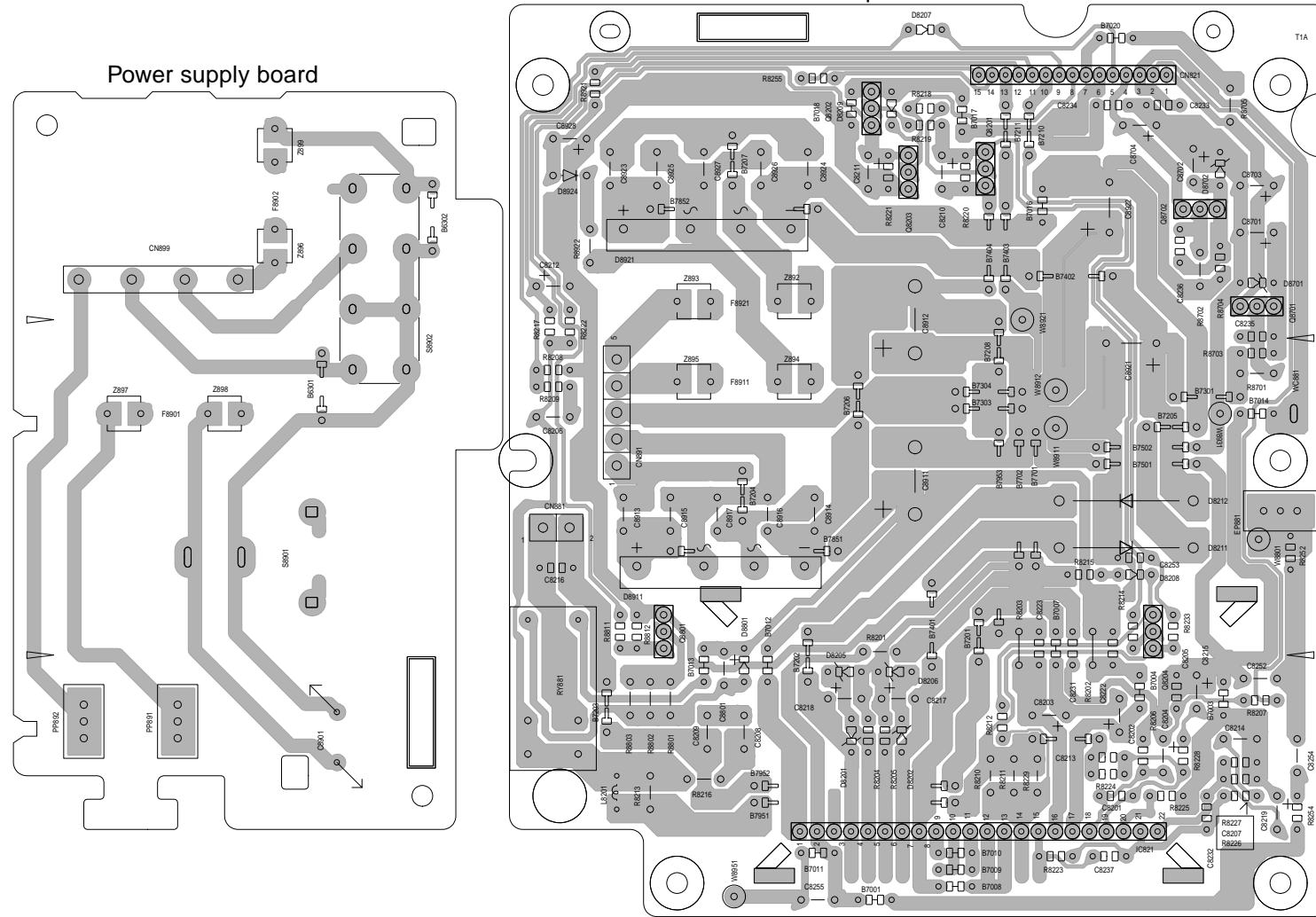
Terminal board

Volume board



Amplifier board

Power supply board



A

B

C

24

D

E

F

G

H